

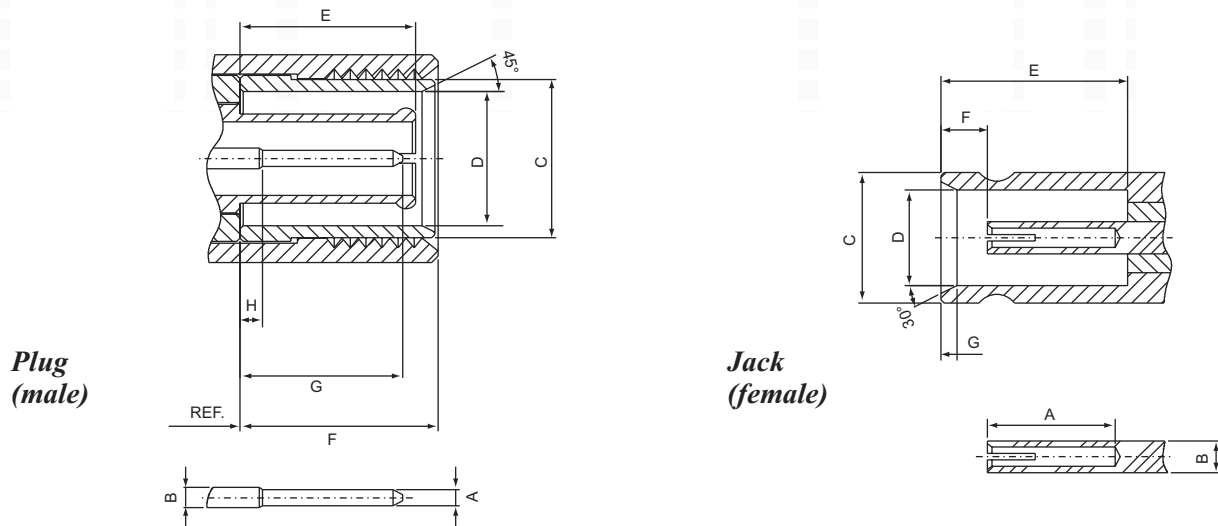
1.0/2.3 SERIES CONNECTORS

50 ohm 0-4GHz

The 1.0/2.3 coaxial inserts are suitable for applications up to 4 GHz and Inserts feature a slide-on coupling mechanism, which ensures a short connect-disconnect time.

Impedance accuracy, fast and easy assembly as well as high reproducibility.

Interface Dimensions:

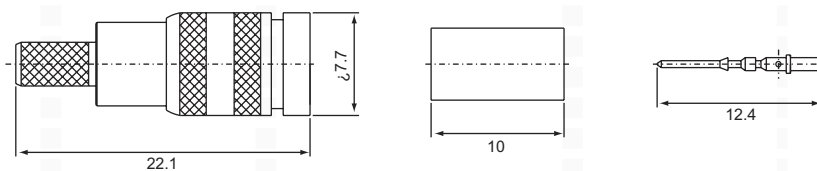


	Plug		Jack	
	min.	max.	min.	max.
A	0.48/.019	0.52/.020	4.50/.177	-
B	1.00/.039 nom.		1.00/.039 nom.	
C	4.66/.183	4.78/.188	4.03/.159	4.15/.163
D	4.20/.165	4.28/.169	3.00/.118	3.06/.120
E	5.40/.213	5.70/.224	5.80/.228	5.90/.232
F	9.25/.364	9.35/.368	1.15/.045	1.45/.057
G	5.20/.205	5.50/.217	0.50/.020	0.60/.024
H	-	1.15/.045	-	-

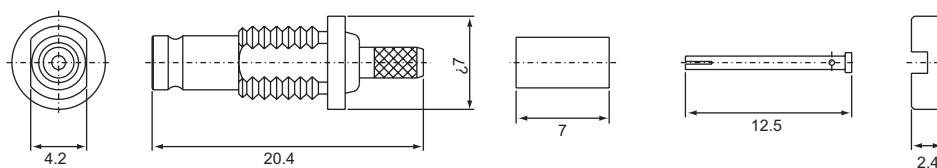
Electrical:

Impedance	50 ohm
Frequency Range	0 to 4.0 GHz

1.0/2.3 MALE, Crimp type
15-111U-1 for BT3002



1.0/2.3 MALE, Crimp type
15-211L for RG174U(316U)



1.0/2.3 MALE, Crimp type
15-211M for RG178U

