

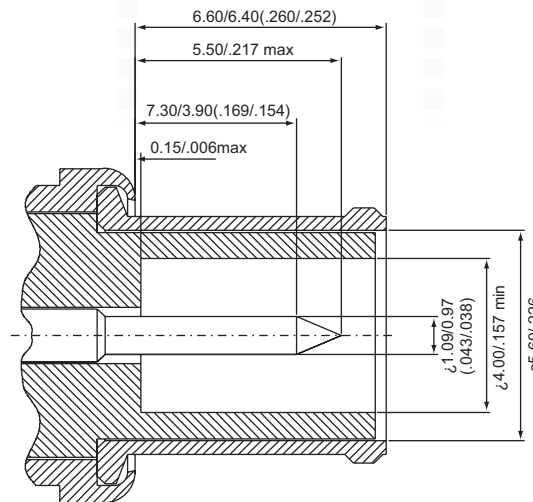
# 1.6/5.6 SERIES CONNECTORS

## 75 ohm 0-1GHz

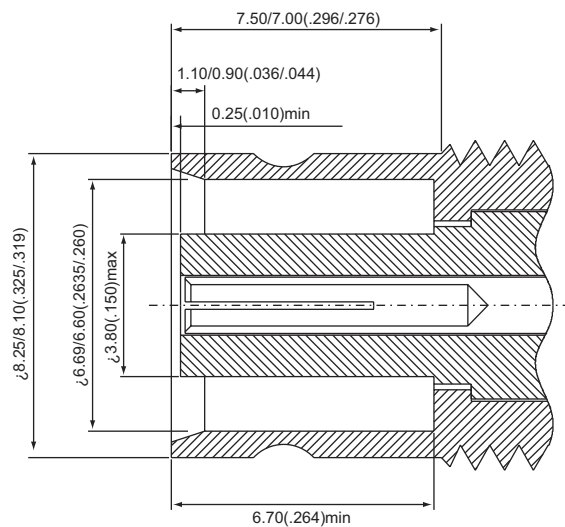
1.6/5.6 Connectors are suitable for use in 75 ohm communication systems. These connectors have become the recognized standard in telecommunication systems in many parts of the world. These connectors feature screw coupling to ensure mating integrity and snap coupling for ease of connection and disconnection.

## Interface Dimensions:

*Plug  
(male)*



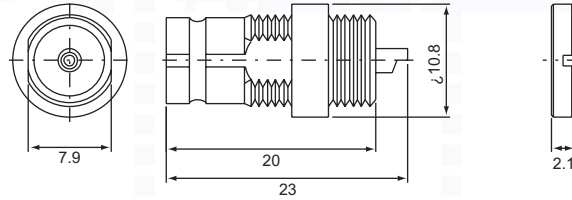
*Jack  
(female)*



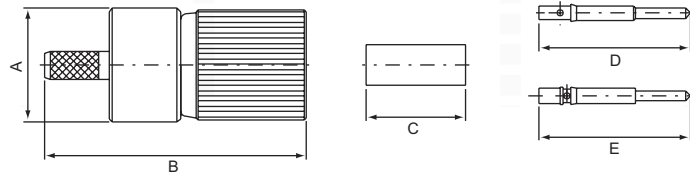
## Electrical:

Impedance	75ohm
Frequency Range	0 to 1 GHz

**1.6/5.6 FEMALE, Bulkhead receptacle**  
**1.6/5.6 75Ω**

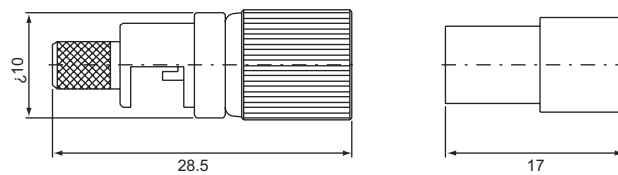


**1.6/5.6 MALE, Crimp type**  
**12-111 Straight**



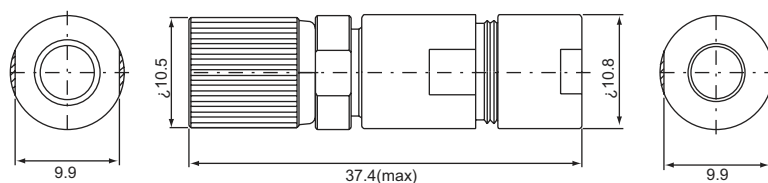
PART NO.	Ω	CABLE TYPE	A	B	C	D	E
12-111	75	2.5C-2V	10.8	24.4	12.7	14.4	
12-111G		RG59U	10.8	24.9	9.5	14.4	
12-111L		RG174U(316U)					
12-111-RA7000		RA7000	10.8	24.4	12.7	14.4	
12-111-ST212		ST212	10.8	24.7	10	14.4	

**1.6/5.6 MALE, Crimp type**  
**12-1110 Straight**

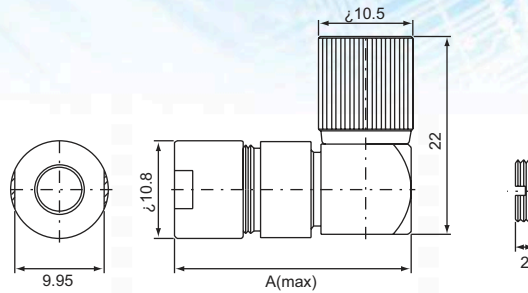


PART NO.	Ω	CABLE TYPE
12-1110F	75	RG58U
12-1110G		RG59U

**1.6/5.6 MALE, Screw-on type**  
**12-1120 Straight**

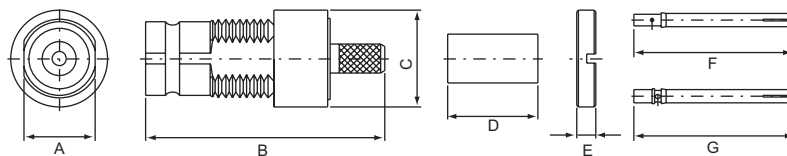


**1.6/5.6 MALE, Crimp type**  
**12-122 Right angle**



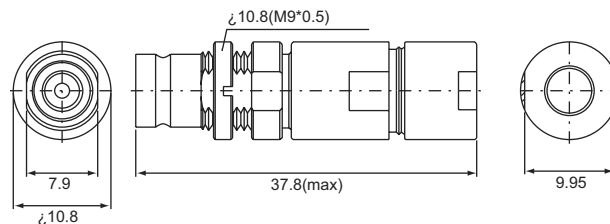
PART NO.	$\Omega$	CABLE TYPE	A
12-122/2.5C5V	75	2.5V-2V	26.4
12-122/3C2V		3C-2V	
12-122/ST212		ST212	
12-122/3.1		RG	26.9
12-122/6.5		RG	27
12-122G		RG59U	26.4
12-122L		RG174U(316U)	26.4

**1.6/5.6 FEMALE, Crimp type**  
**12-211 Straight**



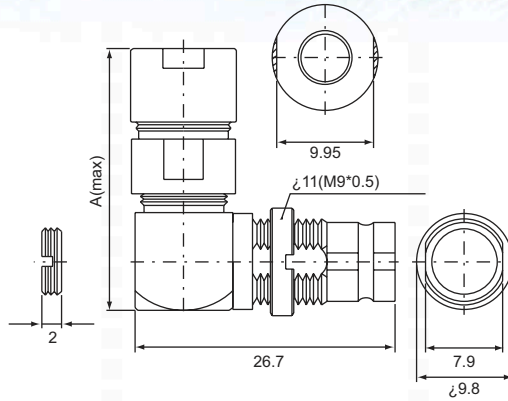
PART NO.	$\Omega$	CABLE TYPE	A	B	C	D	E	F	G
12-211/2.5C2V	75	2.5C-2V	7.9	28	10.8	12.7	17.8	/	2.4
12-211G		RG59U							
12-211L		RG174U(316U)							
12-211/3.0	50	RG	7.9	26.6	10.8	12.7	/	17.8	2.1
12-211/ST212	75	ST212	7.9	26.6	10.8	10	17.8	/	2.1
12-211U		BT3002							

**1.6/5.6 FEMALE, Screw-on type**  
**12-212 Straight**



PART NO.	$\Omega$	CABLE TYPE
12-212/2.5C2V	75	2.5C-2V
12-212/3C2V		3C-2V
12-212/ST212		ST212

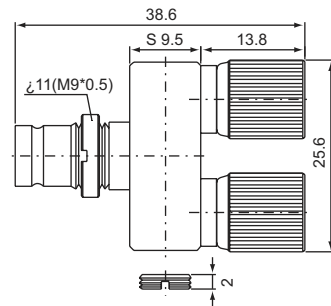
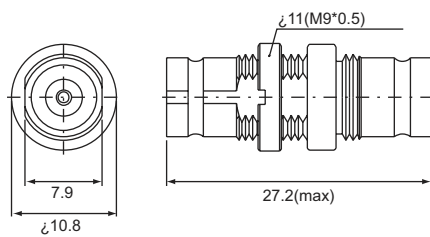
**1.6/5.6 FEMALE, Crimp type**  
**12-222 Right angle**



PART NO.	$\Omega$	CABLE TYPE	A
12-222/2.5C5V	75	2.5V-2V	26.9
12-222/3C2V		3C-2V	
12-222/ST212		ST212	
12-222/3.5		RG	26.8
12-222/6.5		RG	27
12-222G		RG59U	27
12-222L		RG174U(316U)	27

**double 1.6/5.6 FEMALE**  
**12-332 Bulkhead receptacle**

**1.6/5.6 ONE FEMALE**  
**12-521 to double MALE**



**1.6/5.6 FEMALE, P.C.B mount**  
**12-P215**

**1.6/5.6 FEMALE, PCB mount**  
**12-P225 right angle**

