

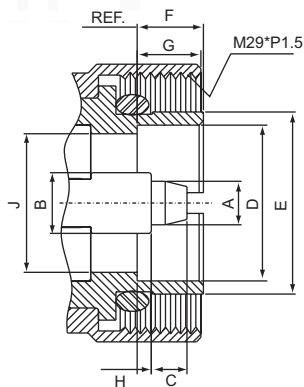
7/16 SERIES CONNECTORS

50 ohm 0-7.5GHz

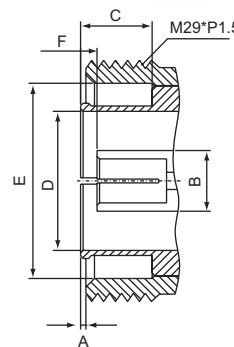
7/16 connectors are mechanically very rugged coaxial connectors with screw-lock. They have a characteristic impedance of 50 ohm and are applicable with excellent electrical properties up to 7.5 GHz.

transmission of medium to high power in transmitting stations and low loss transmission of received signals like in mobile phone base stations are typical applications. and low intermodulation product and water-proof types are available.

Interface Dimensions:



Plug(male)



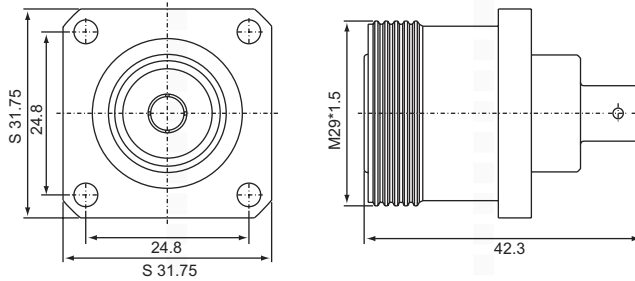
Jack(female)

	Plug		Jack	
	min.	max.	min.	max.
A	4.96/.195	5.04/.198	0.50/.020	0.70/.028
B	7.00/.276 nom.		7.00/.276 nom.	
C	-	4.50/.177	8.10/.319	-
D	18.03/.710	18.21/.717	15.85/.624	16.25/.640
E	20.60/.811	21.40/.843	22.10/.870	22.90/.902
F	7.00/.276	8.00/.315	1.77/.070	2.07/.082
G	7.00/.276	9.00/.354	-	-
H	1.47/.058	1.77/.070	-	-
J	15.85/.624	16.25/.640	-	-

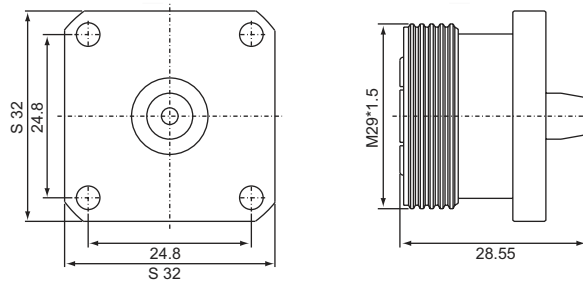
Electrical:

Impedance	50 ohm
Frequency Range	0 to 7.5 GHz

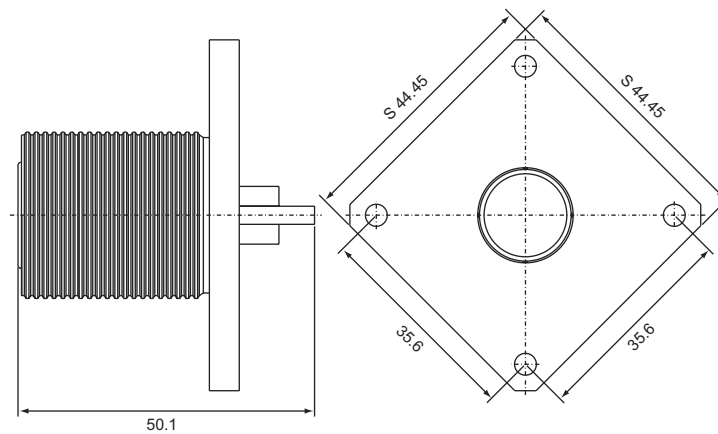
7/16 FEMALE, Solder type Panel receptacle
25-P245-1C



7/16 FEMALE, Solder type Panel receptacle
25-P245-2C



7/16 FEMALE, Solder type Panel receptacle
25-P245-4C



7/16 female-N male
25N-321-H20.5

