

BNC SERIES CONNECTORS

50 ohm 0-4GHz/75 ohm 0-1GHz

BNC coaxial connectors are miniature, light-weight and can operate satisfactorily up to 11 GHz.

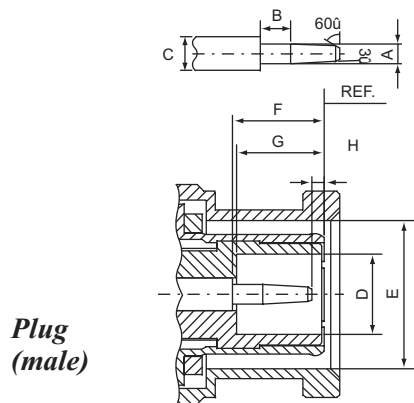
The connector is typically used in applications from DC to 4 GHz and yield low reflection in this frequency range.

They're one of the world's popular RF connectors.

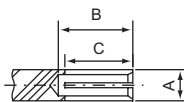
They are prevalent in computer networks, audio, video, data processing and telecommunications equipment because of their size and relatively low installed cost. and cable terminations are available in crimp, clamp, solder and jacket quick twist configurations.

The two-stud bayonet lock coupling provides ease of connecting and disconnecting and is ideally suited for applications such as test equipment where this feature is notably significant.

Interface Dimensions:



Plug
(male)



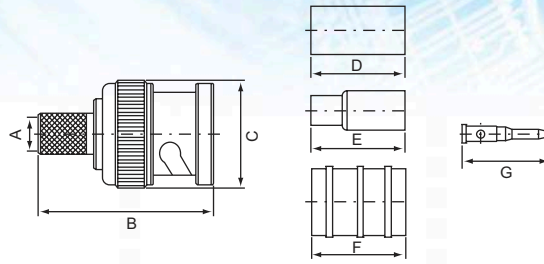
Jack
(female)

	Plug		Jack	
	min.	max.	min.	max.
A	1.32/.052	1.37/.054	2.06/.081	2.21/.087
B	1.98/.078	-	4.95/.195	-
C	2.06/.081	2.21/.087	4.70/.185	-
D	4.83/.190	-	-	4.72/.186
E	9.78/.385	9.91/.390	8.10/.319	8.15/.321
F	5.33/.210	5.84/.230	9.60/.378	9.70/.382
G	5.28/.208	5.79/.228	10.97/.432	11.07/.436
H	0.08/.003	-	10.52/.414	-
I	-	-	8.31/.327	8.51/.335
J	-	-	4.72/.186	5.23/.206

Electrical:

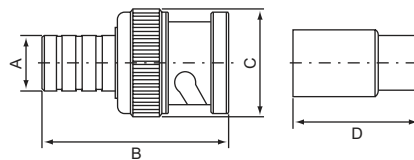
Impedance	50 ohm	75ohm
Frequency Range	0 to 4.0 GHz	0 to 1GHz
VSWR	Straight: 1.3max ; Right angle: 1.35max	
Insertion Loss	0.2dB max @ 3GHz	

BNC MALE, Crimp type
B-111



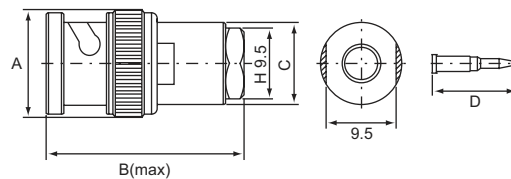
PART NO.	Ω	CABLE TYPE	A	B	C	D	E	F	G
B-111	50,75	2.5C-2V	2.7	23.7	14.5	12.7	/	/	11.8
B-111-124	50,75	RG124U	4.8	23.7	14.5	/	/	12.7	11.8
B-111A	50,75	RG6U5.1	23.7	14.5	12.7	/	/	11.8	/
B-111B	50,75	RG8U(213U)	7.4	26.7	14.5	13.5	/	/	11.8
B-111F	50,75	RG58U3.2	23.7	14.5	12.7	/	/	11.8	/
B-111G	50,75	RG59U4.1	23.7	14.5	12.7	/	/	11.8	/
B111L	50,75	RG174U(316U)	2.7	23.7	14.5	/	12.7	/	11.2
B-111L-1	50,75	RG174U(316U)	1.7	23.7	14.5	9.5	/	/	11.8
B-111M	50,75	RG178U	2.7	23.7	14.5	/	12.7	/	4.9
B-111N	50,75	RG179U	2.7	23.7	14.5	/	12.7	/	11.8
B-111U	50,75	BT3002	3.2	23.7	14.5	/	12.4	/	11.8
B-111-H155	50,75	H155 4.5	23.7	14.5	12.7	/	/	11.8	/
B-111-H155-1	50,75	H155 4.2	23.7	14.5	12.7	/	/	11.8	/

BNC MALE, Crimp type
Two-pieces type
B-111/2PCS



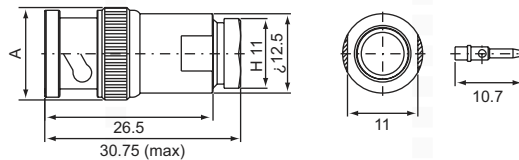
PART NO.	Ω	CABLE TYPE	A	B	C	D
B-111A/2PCS	50,75	RG6U	7.5	25.2	14.5	17
B-111F/2PCS		RG58U				
B-111G/2PCS		RG59U				

BNC MALE, Screw-on type
B-112

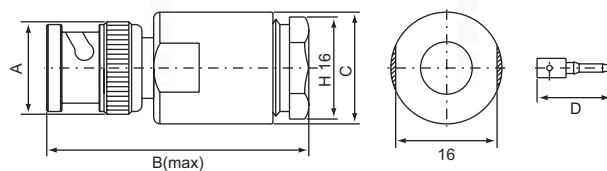


PART NO.	Ω	CABLE TYPE	A	B	C	D
B-112A	50,75	RG6U	14.5	26.7	11	11.5
B-112F		RG58U				
B-112G		RG59U				
B-112L		RG174U				

BNC MALE, Screw-on type
B-112F-1 for RG58U

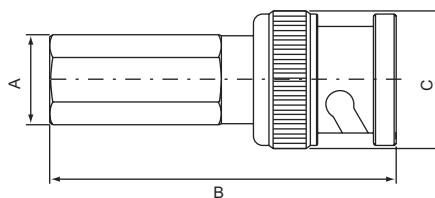


BNC MALE, Screw-on type
B-112B



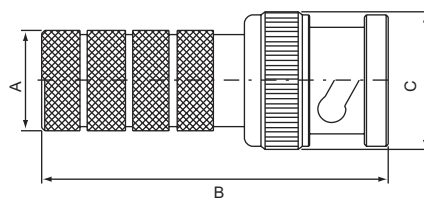
PART NO.	Ω	CABLE TYPE	A	B	C	D
B-112B	50,75	RG213U	14.5	41.2	17.5	11.8

BNC MALE, Twist-on type
B-113



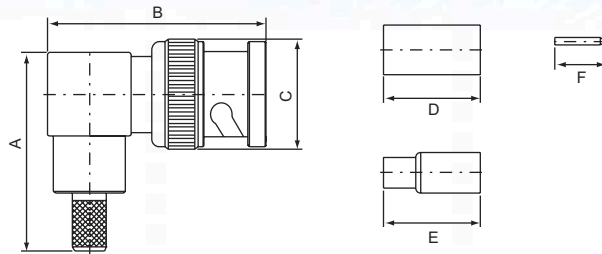
PART NO.	Ω	CABLE TYPE	A	B	C
B-113A	50,75	RG6U	9.5	36.3	14.5
B-113F		RG58U			
B-113G		RG59U			

BNC MALE, Twist-on type
B-1130



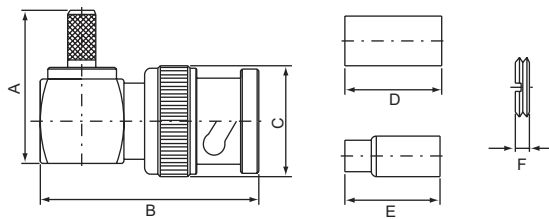
PART NO.	Ω	CABLE TYPE	A	B	C
B-1130F	50,75	RG58U	10.5	36.3	14.5
B-1130G		RG59U			

BNC MALE, Crimp type Right angle
B-121



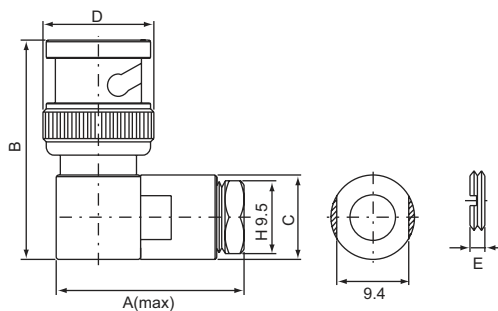
PART NO.	Ω	CABLE TYPE	A	B	C	D	E	F
B-121A	50,75	RG6U	26	28.7	14.5	12.7	/	/
B-121F		RG58U						
B-121G		RG59U						
B121K	50,75	RG55U	26	28.7	14.5	12.6	/	/
B121L	50,75	RG174	26.1	28.7	14.5	/	12.7	6.5

BNC MALE, Crimp type Right angle
B-121-00



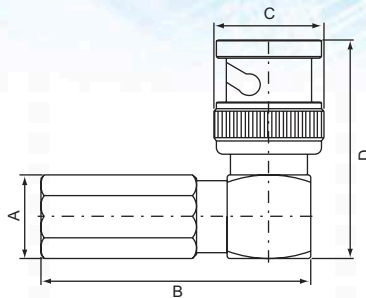
PART NO.	Ω	CABLE TYPE	A	B	C	D	E	F			
B-121F-00(soldering)	50,75	RG6U	20	28.7	14.5	12.7	/	1.9			
B-121G-00(soldering)		RG58U									
B-121L-00(soldering)		RG59U							/	12.4	1.9
B-121U-00(soldering)		RG59U							20	28.7	14.5

BNC MALE, Screw-on type
Right Angle
B-122



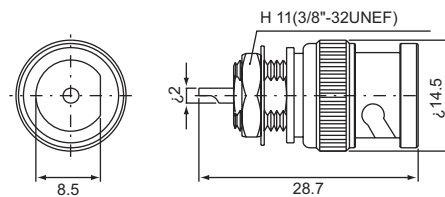
PART NO.	Ω	CABLE TYPE	A	B	C	D	E
B-122A	50,75	RG6U	24.6	28.7	11	14.5	1.9
B-122F		RG58U					
B-122G		RG59U					

BNC MALE, Twist-on type
Right angle
B-123

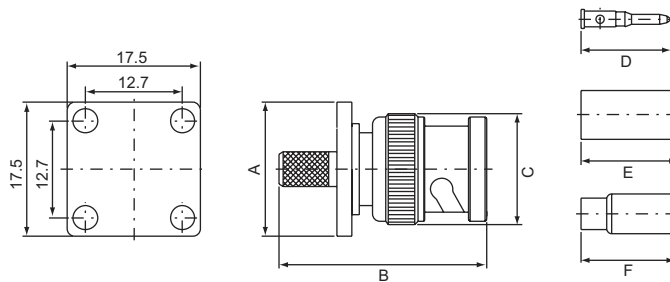


PART NO.	Ω	CABLE TYPE	A	B	C	D
B-123A	50,75	RG6U	9.5	35.4	14.5	28.7
B-123F		RG58U				
B-123G		RG59U				

BNC MALE, Solder type
Bulkhead receptacle
B-135 (50 Ω ,75 Ω)

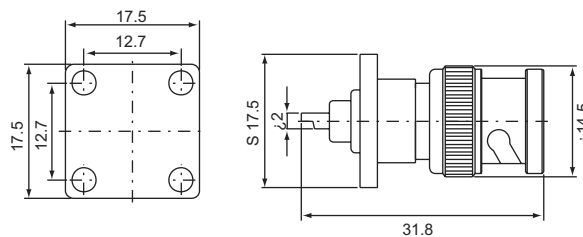


BNC MALE, Crimp type
Panel receptacle
B-141

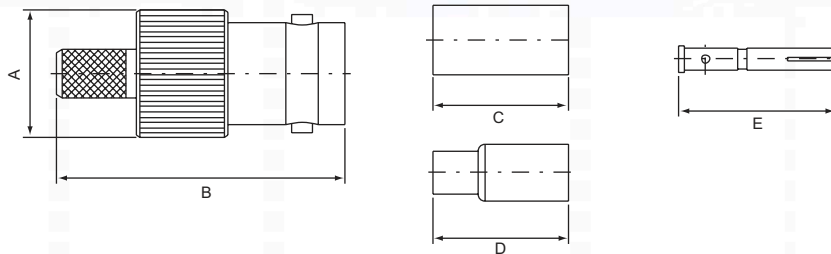


PART NO.	Ω	CABLE TYPE	A	B	C	D	E	F
B-141A	50,75	RG6U	17.5	27.2	14.5	11.8	12.7	/
B-141F		RG58U						
B-141G		RG59U						
B-141L	50,75	RG174U(316U)	17.5	27.2	14.5	11.8		12.4

BNC MALE, Screw type
Panel receptacle
B-145 (50 Ω ,75 Ω)

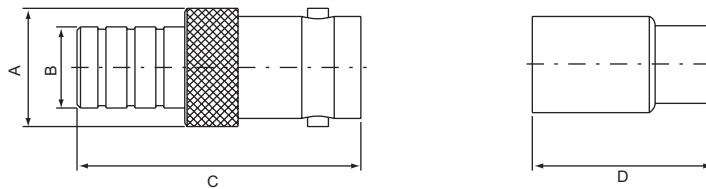


BNC FEMALE, Crimp type
B-211



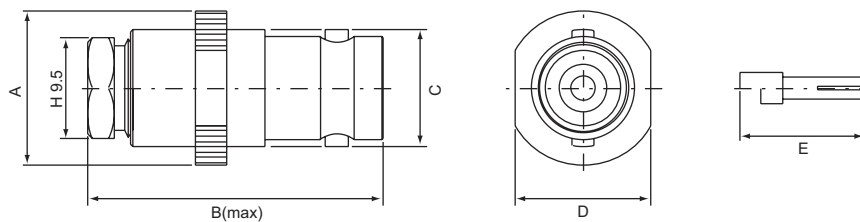
PART NO.	Ω	CABLE TYPE	A	B	C	D	E
B-211A	50,75	RG6U	12	27	12.7	12.7	14.7
B-211F		RG58U					
B-211G		RG59U					
B-211L	50,75	RG174U	12	27	10	12.7	14.7
B-211U	50,75	BT3002	12	27	10	12.7	14.2

BNC FEMALE, Crimp type Two-pieces type
B-211/2PCS



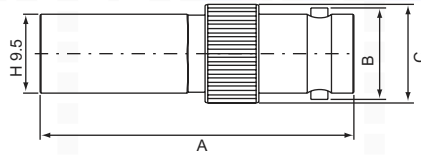
PART NO.	Ω	CABLE TYPE	A	B	C	D
B-211A/2PCS	50,75	RG6U	11	7.5	26.5	17
B-211F/2PCS		RG58U				
B-211G/2PCS		RG59U				

BNC FEMALE, Screw-on type
B-212



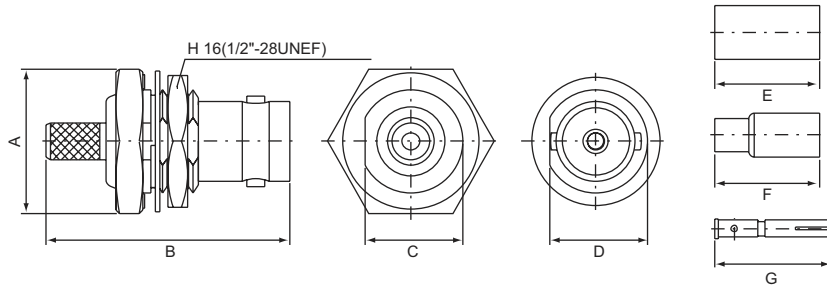
PART NO.	Ω	CABLE TYPE	A	B	C	D	E
B-212A	50,75	RG6U	14.5	27.7	11	12.7	11.8
B-212F		RG58U					
B-212G		RG59U					

BNC FEMALE, Twist-on type
B-213



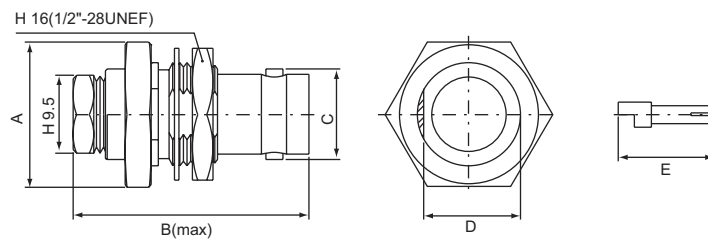
PART NO.	Ω	CABLE TYPE	A	B	C
B-213A	50,75	RG6U	38	11	12
B-213F		RG58U			
B-213G		RG59U			

BNC FEMALE, Crimp type
Bulkhead receptacle
B-231



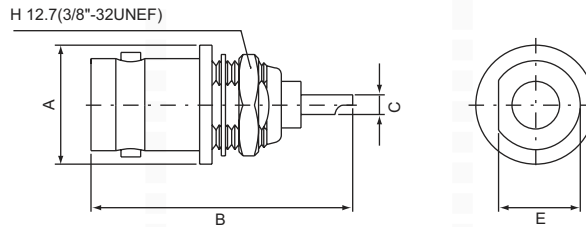
PART NO.	Ω	CABLE TYPE	A	B	C	D	E	F	G
B-231A	50,75	RG6U	17.5	29.5	11.8	/	12.7	/	14.7
B-231F		RG58U							
B-231G		RG59U							
B-231L	50,75	RG174U,316U	15.5	31.1	/	11.8	/	12.7	14.7

BNC FEMALE, Screw-on type
Bulkhead receptacle
B-232



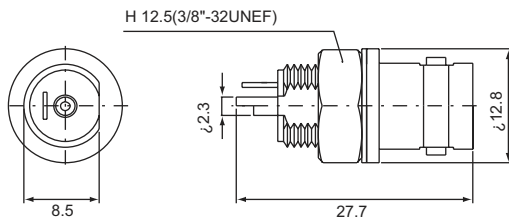
PART NO.	Ω	CABLE TYPE	A	B	C	D	E
B-232F	50,75	RG58U	17.5	28.5	11	11.7	11.8
B-232G		RG59U					

**BNC FEMALE, Solder type
Bulkhead receptacle
B-235**

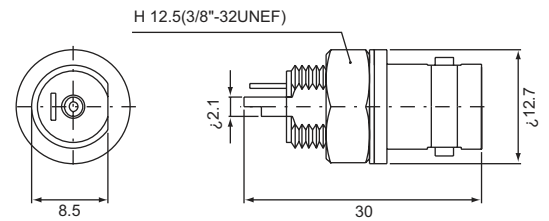


PART NO.	Ω	CABLE TYPE	A	B	C	E	NOTE
B-235	50,75	BRASS	12.5	27.4	2.1	8.5	SOLDER LUG LOCK WASHER
B-235-2B							
B-235ZN	50,75	ZINC	12.7	27.7	2.3	8.5	

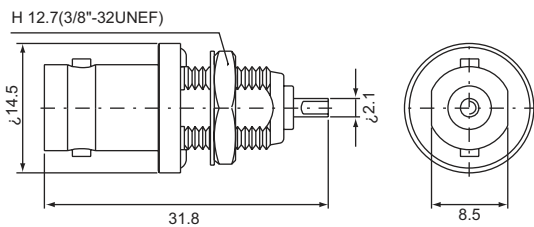
**BNC FEMALE, Solder type
Bulkhead receptacle
Isolated ground
B-235-1 (50 Ω ,75 Ω)**



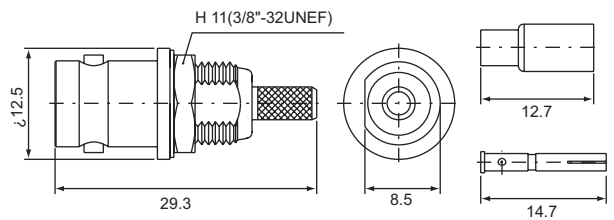
**BNC FEMALE
Dielectric color: Green, Blue, Red
B-235-2 (50 Ω ,75 Ω)**



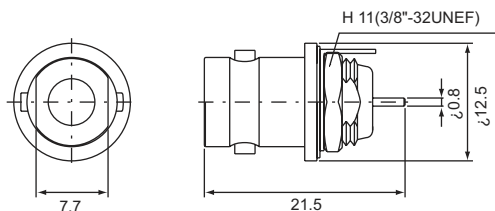
**BNC FEMALE, Solder type
Bulkhead receptacle
B-235-01B-D/D (50 Ω ,75 Ω)**



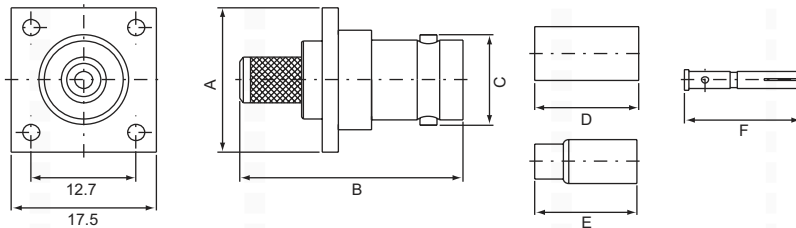
**BNC FEMALE, Crimp type
Bulkhead receptacle
B-2351L (50 Ω ,75 Ω)**



**BNC FEMALE, Crimp type
Bulkhead receptacle
B-235S-C (50 Ω ,75 Ω)**

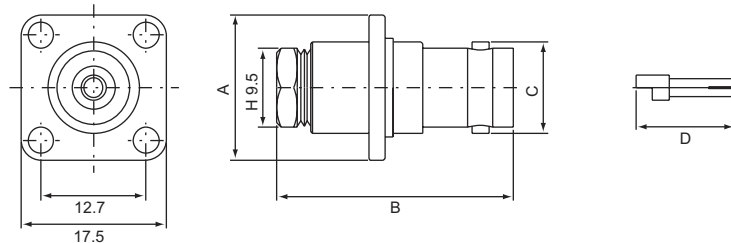


BNC FEMALE, Crimp type
Panel receptacle
B-241



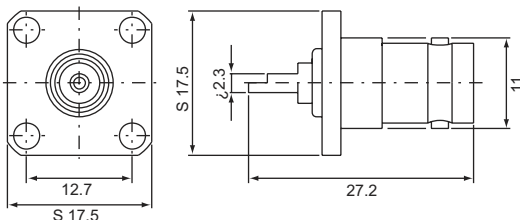
PART NO.	Ω	CABLE TYPE	A	B	C	D	E	F
B-241A	50,75	RG6U	17.5	27	11	12.7	/	14.7
B-241F		RG58U						
B-241G		RG59U						
B-241L	50,75	RG174U,316U	17.5	27	11	/	12.4	14.7

BNC FEMALE, Screw-on type
Panel receptacle
B-242

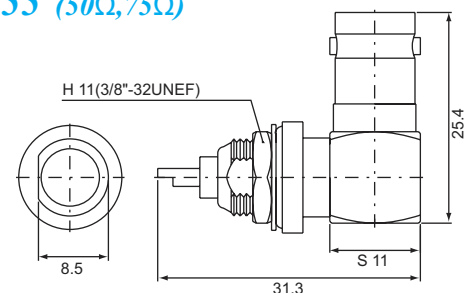


PART NO.	Ω	CABLE TYPE	A	B	C	D
B-242A	50,75	RG6U	17.5	24.5	11	11.8
B-242F		RG58U				
B-242G		RG59U				
B-242L		RG174U,316U				

BNC FEMALE, Solder type
Panel receptacle
B-245 (50 Ω ,75 Ω)

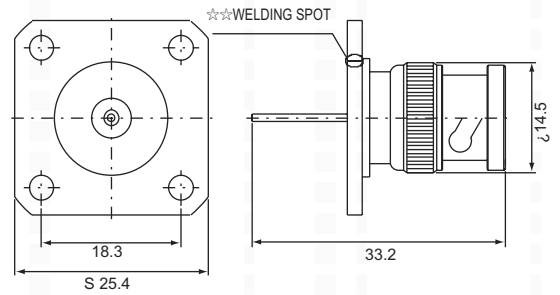
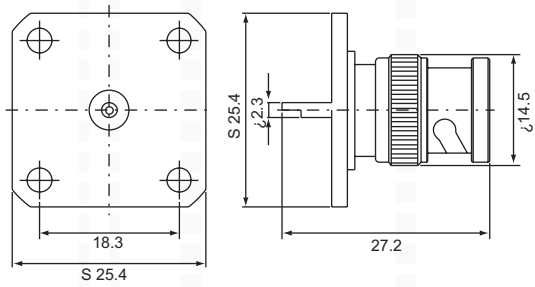


BNC FEMALE, Solder type
Right angle
Bulkhead receptacle
B-255 (50 Ω ,75 Ω)



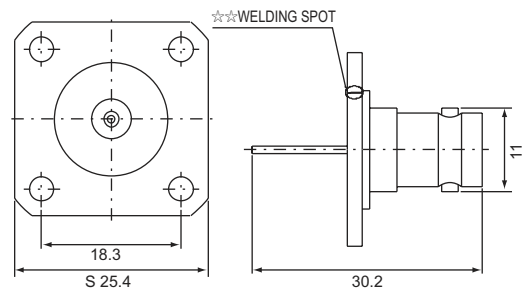
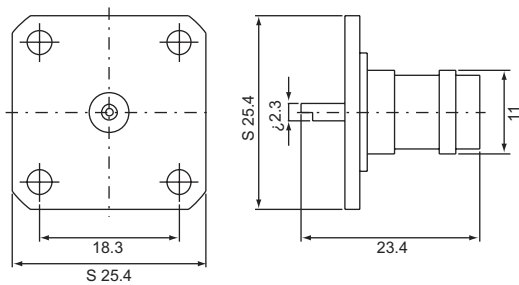
BNC MALE, Screw type
Panel receptacle
B-1450 (50Ω,75Ω)

B-1450-25.4 (50Ω,75Ω)

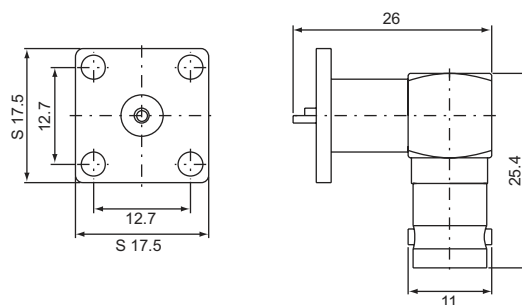


BNC FEMALE, Solder type
Panel receptacle
B-2450 (50Ω,75Ω)

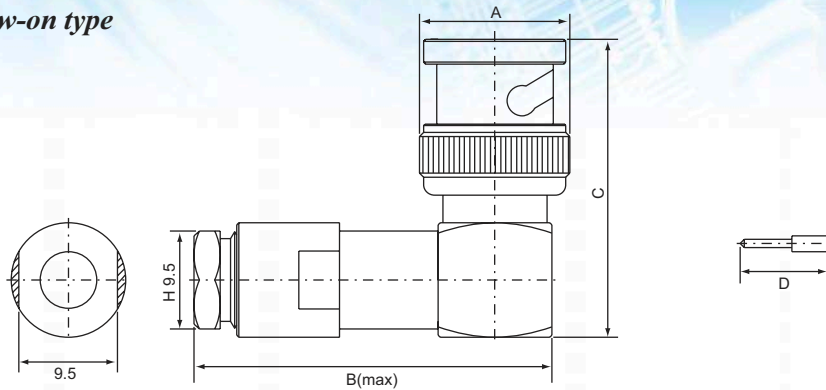
B-2450-25.4 (50Ω,75Ω)



BNC FEMALE, crimp type
Right angle
B-265 (50Ω,75Ω)

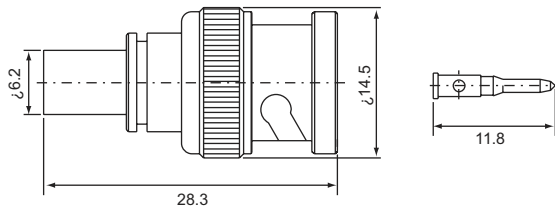


BNC MALE, Screw-on type
Right angle
B-L122

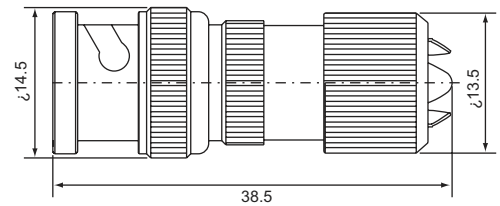


PART NO.	Ω	CABLE TYPE	A	B	C	D
B-L122F	50,75	RG58U	14.5	34.5	28.7	8.5
B-L122G		RG59U				

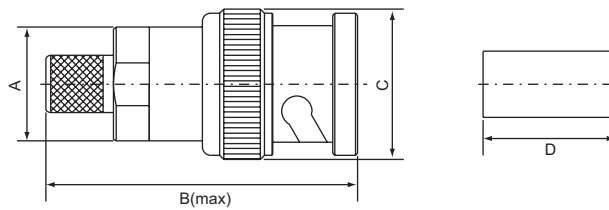
BNC MALE, Moulding type
B-M111F (50 Ω ,75 Ω)



BNC MALE, Screw-on type
B-M112 (50 Ω ,75 Ω)

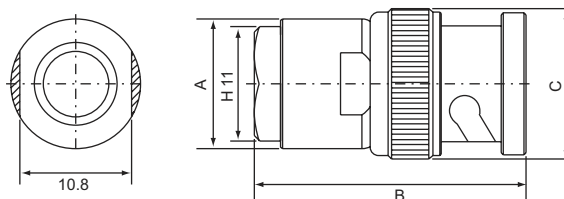


BNC MALE, Crimp type
B-P111



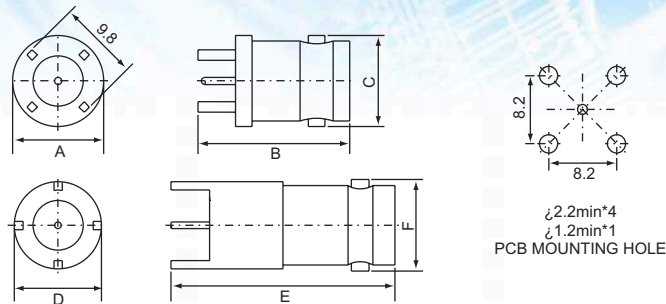
PART NO.	Ω	CABLE TYPE	A	B	C	D
B-P111A	50,75	RG58U	11	30.1	14.5	12.7
B-P111G		RG59U				

BNC MALE, Screw-on type
B-P112



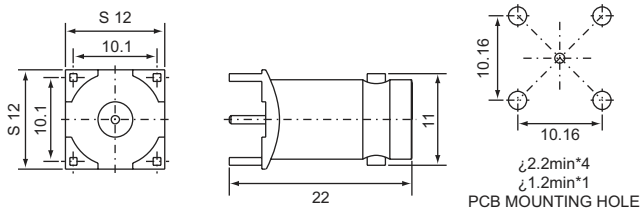
PART NO.	Ω	CABLE TYPE	A	B	C
B-P112A	50,75	RG6U	12.5	26.2	14.5
B-P112F		RG58U			
B-P112G		RG59U			

**BNC FEMALE, Straight
PCB mount
B-P215**

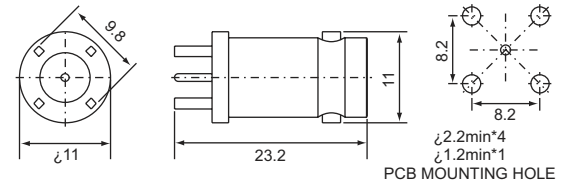


PART NO.	Ω	CABLE TYPE	A	B	C	D	E	F
B-P215-18.3	50,75	WELDING SPOT	11	18.3	11			
B-P215-27	50,75					10.5	27	11

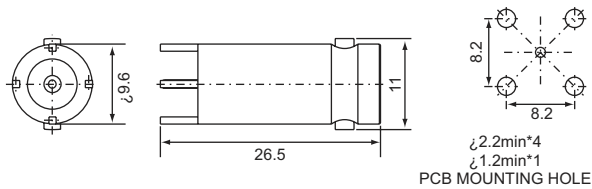
**BNC FEMALE, Straight PCB mount
B-P215-1A (50 Ω ,75 Ω)**



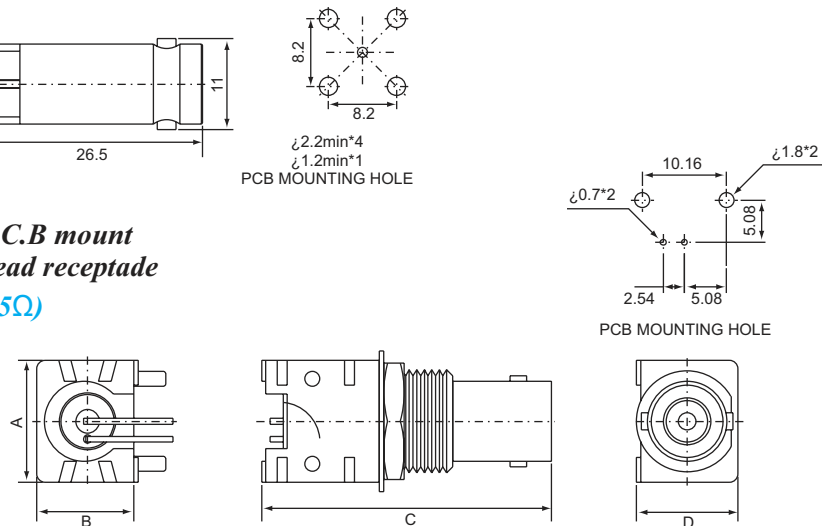
**BNC FEMALE, Straight PCB mount
B-P215-3A (50 Ω ,75 Ω)**



**BNC FEMALE, Straight PCB mount
B-P215-4A (50 Ω ,75 Ω)**

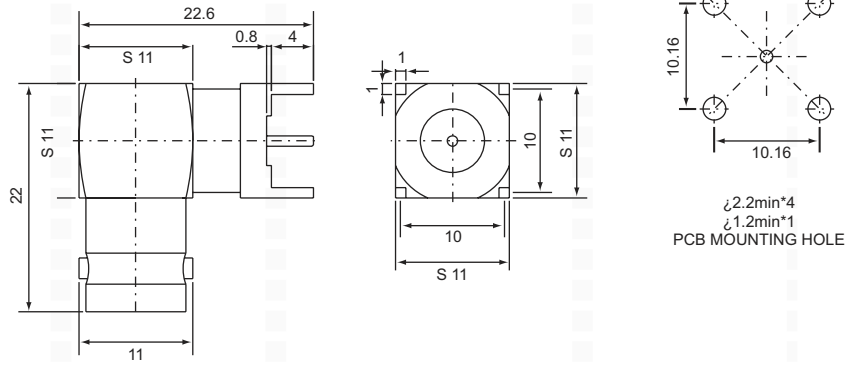


**BNC FEMALE, P.C.B mount
Right angle bulkhead receptade
B-P225 (50 Ω ,75 Ω)**

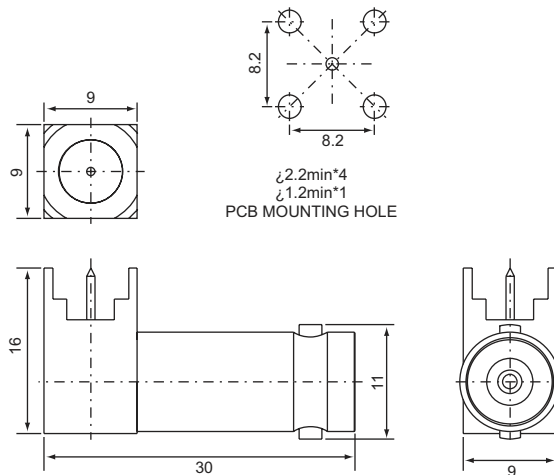


PART NO.	Ω	CABLE TYPE	A	B	C	D
B-P225/13.1-03	50,75	Whole Metal: Zinc	14.7	13.1	34.8	12.2
B-P225/13.1-04	50,75	PBT Mould, Brass Body				
B-P225/13.1-05	50,70	PBT Mould, Zinc Body				
B-P225/15.8-03	50,75	Whole Metal: Zinc		15.8		
B-P225/15.8-04	50,75	PBT Mould, Zinc Body				
B-P225/15.8-05	50,75	PBT Mould, Zinc Body				

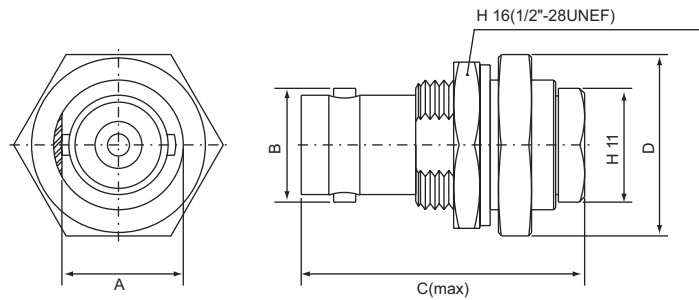
BNC FEMALE, P.C.B mount
Right angle bulkhead receptade
B-P2251 (50Ω,75Ω)



BNC FEMALE, P.C.B mount
Right angle bulkhead receptade
B-P225-1A (50Ω,75Ω)



BNC FEMALE, P.C.B mount
Right angle bulkhead receptade
B-P232



PART NO.	Ω	CABLE TYPE	A	B	C	D
B-P232A	50,75	RG6U	11.7	11	27.3	17.5
B-P232F		RG58U				
B-P232G		RG59U				