

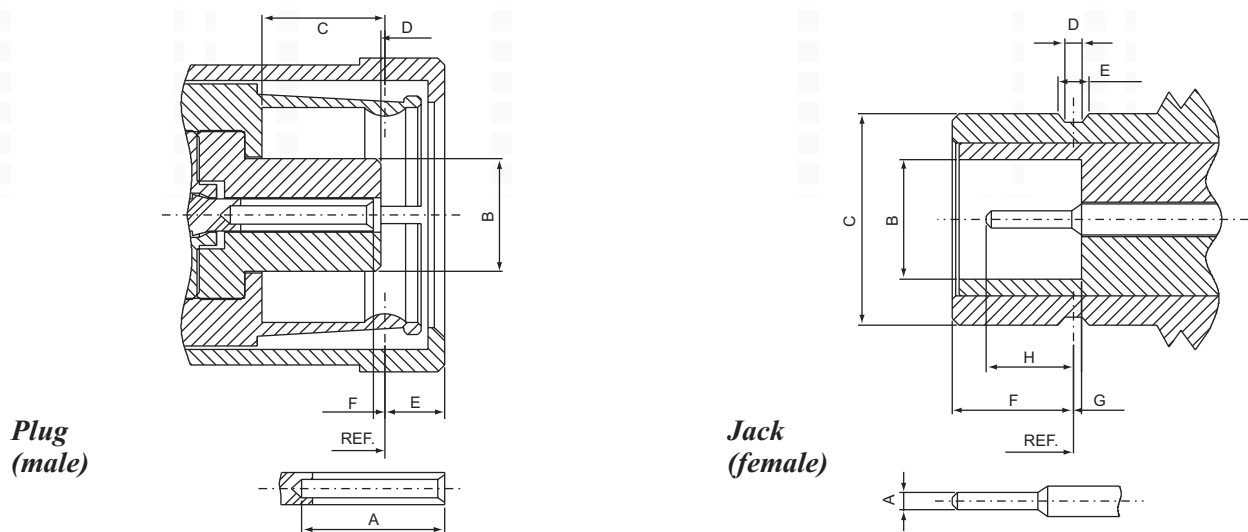
SMZ (75 ohm SMB)

75 ohm 0-4GHz

SMZ connectors are the 75 ohm impedance for SMB, which low signal distortion is required for applications such as computer, video and high speed data transfer, our SMZ series is an ideal choice.

The snap-on coupling interface offers ease of installation and removal in high package density designs.

Interface Dimensions:

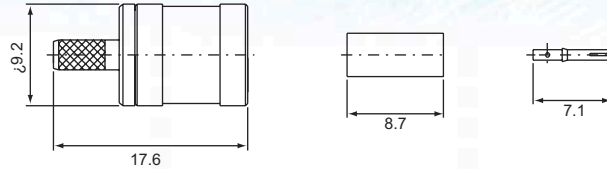


| | Plug | | Jack | |
|---|-----------|-----------|-----------|-----------|
| | min. | max. | min. | max. |
| A | 4.5/.177 | - | 0.48/.019 | 0.53/.021 |
| B | - | 3.33/.131 | 3.35/.132 | - |
| C | 3.58/.141 | - | 6.2/.244 | 6.25/.246 |
| D | 0.18/.007 | - | 0.28/.011 | 0.38/.015 |
| E | - | 1.98/.078 | 0.69/.027 | 0.94/.037 |
| F | 0.18/.007 | 0.94/.037 | 3.33/.131 | 3.58/.141 |
| G | - | - | - | 0.18/.007 |
| H | - | - | - | 2.97/.117 |

Electrical:

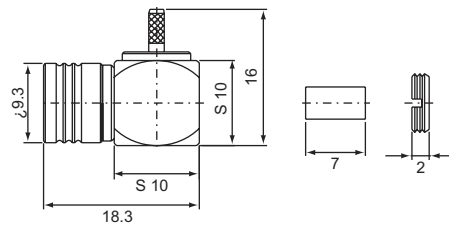
| | |
|-----------------|---|
| Impedance | 75 ohm |
| Frequency Range | 0 to 10.0 GHz |
| VSWR | RG-178U→ 1.25+0.04 f max GHz(Straight) 1.4+0.06 f max GHz(Right angle) |
| | RG-316U→ 1.2+0.04 f max GHz(Straight) 1.3+0.04 f max GHz(Right angle) |
| Insertion Loss | 0.2dB max @ 3GHz |

SMZ MALE, Crimp type
14-111



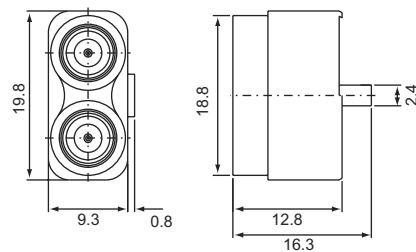
| PART NO. | Ω | CABLE TYPE |
|----------|----|--------------|
| 14-111F | 75 | RG58U |
| 14-111G | | RG59U |
| 14-111L | | RG174U(316U) |
| 14-111M | | RG178U |
| 14-111N | | RG179U |

SMZ MALE, Crimp type
14-121

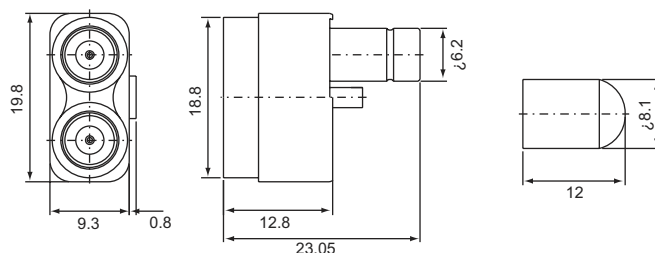


| PART NO. | Ω | CABLE TYPE |
|----------|----|--------------|
| 14-121F | 75 | RG58U |
| 14-121G | | RG59U |
| 14-121L | | RG174U(316U) |
| 14-121M | | RG178U |
| 14-121N | | RG179U |

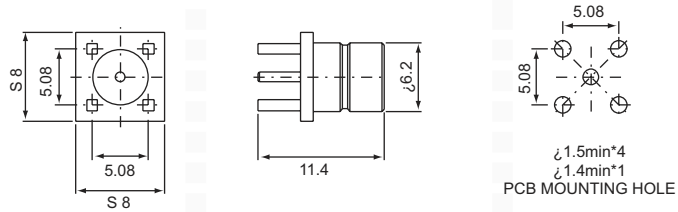
SMZ Straight Adaptor, Crimp type
14-311-1A



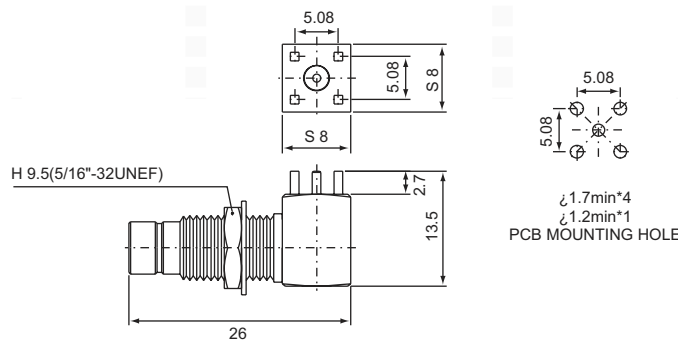
SMZ T-TYPE ADAPTORS, Crimp type
14-521 right angle



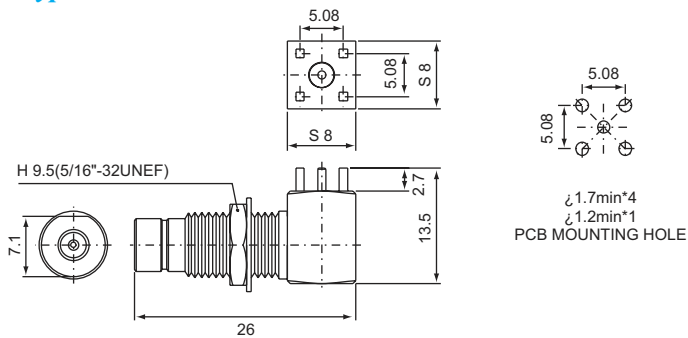
SMZ FEMALE, PCB mount
14-P215 Solder type



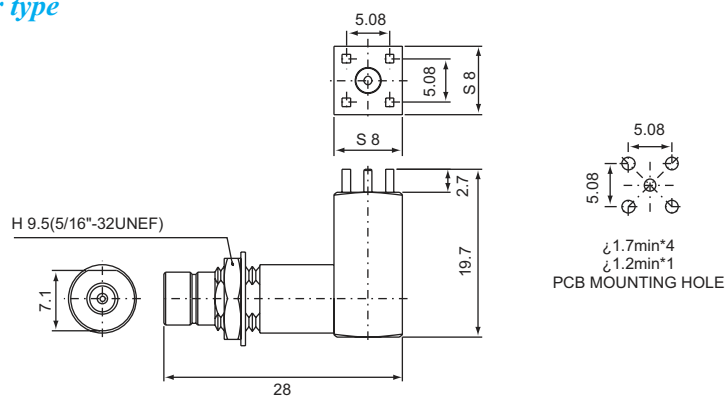
SMZ FEMALE, PCB mount
14-P225-26 Solder type



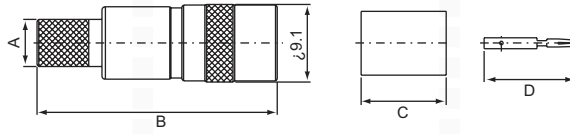
SMZ FEMALE, PCB mount
14-P225-26-D Solder type



SMZ FEMALE, PCB mount
14-P225-28 Solder type

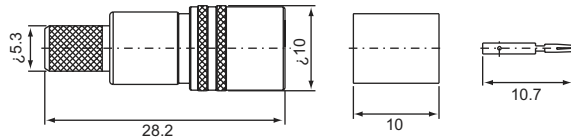


BT43 MALE, Crimp type
43-111

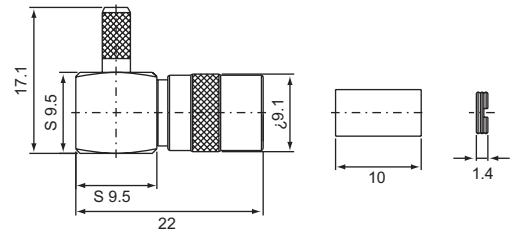


| PART NO. | Ω | CABLE TYPE | A | B | C | D |
|---------------|----------|--------------|-----|------|----|------|
| 43-111G | 75 | RG59U | 5.5 | 28.2 | 10 | |
| 43-111L | | RG174U(316U) | 2.6 | 28.2 | 10 | 10.7 |
| 43-111L-179 | | RG179U | 2.4 | 27.4 | 10 | 10.7 |
| 43-111-RA7000 | | RA7000 | 4.3 | 28.2 | 10 | |
| 43-111-RA8000 | | RA8000 | 2.6 | 28.2 | 10 | |
| 43-111T | | BT2003 | 5.3 | 28.2 | 10 | |
| 43-111U | | BT3002 | 3.3 | 28.2 | 10 | 10.7 |

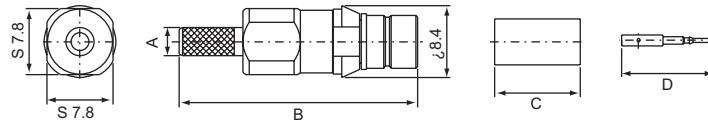
BT43 MALE, Crimp type
43-111T-1



BT43 MALE, Crimp type
43-121U right angle



BT43 FEMALE, Crimp type
43-211



| PART NO. | Ω | CABLE TYPE | A | B | C | D |
|---------------|----------|--------------|-----|----|----|------|
| 43-211L | 75 | RG174U(316U) | 2.6 | 28 | 10 | |
| 43-211-RA7000 | | RA7000 | 4.3 | 28 | 10 | |
| 43-211-RA8000 | | RA8000 | 2.6 | 28 | 10 | |
| 43-211T | | BT2003 | 5.3 | 28 | 10 | 10.9 |
| 43-211T | | BT2003 | 5.3 | 28 | 10 | |
| 43-211U | | BT3002 | 3.3 | 28 | 10 | 10.9 |
| 43-211U | | BT3002 | 3.3 | 28 | 10 | |