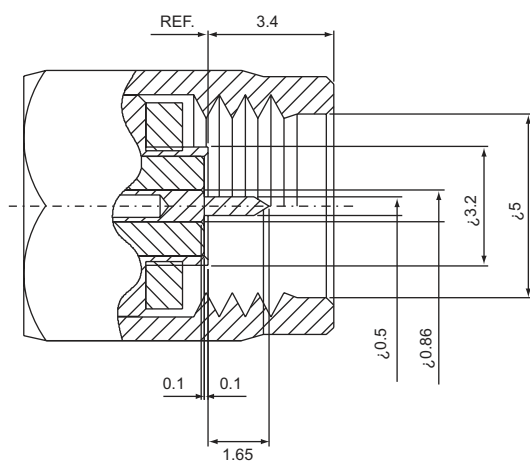


SSMA SERIES CONNECTORS

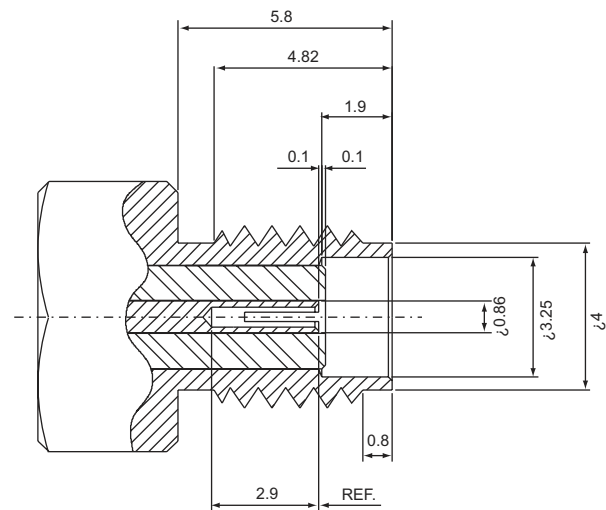
50 ohm 0-18GHz

The SSMA series is a smaller version of the SMA series. It has improved electrical characteristics with a frequency range of DC to 26 GHz.

Interface Dimensions:



Plug(male)

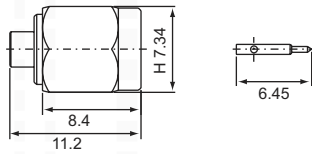


Jack(female)

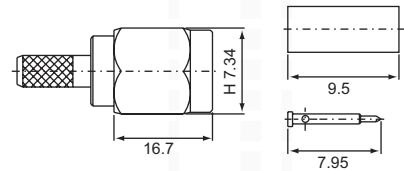
Electrical:

Impedance	50 ohm
Frequency Range	DC to 18 GHz

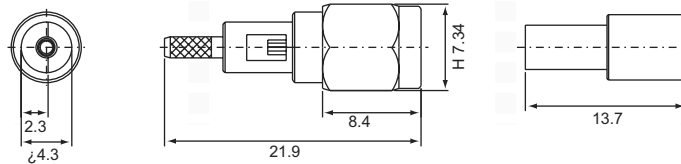
SSMA MALE, Crimp type
19-111-085 for RG405U



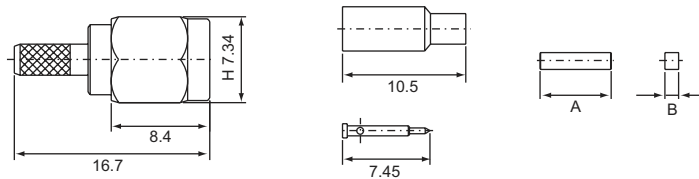
SSMA MALE, Crimp type
19-111L for RG174U(316U)



SSMA MALE, Crimp type
19-111M for RG178U

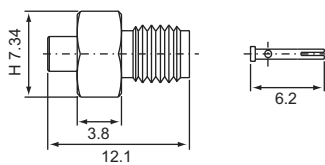


SSMA MALE, Crimp type
19-111M

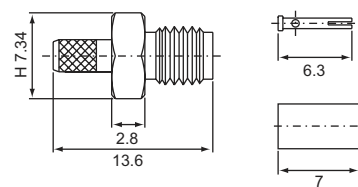


PART NO.	Ω	CABLE TYPE	A	B
19-111M-1	50	RG178U	6.1	1.2
19-111M-2				

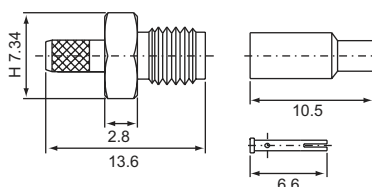
SSMA FEMALE, Crimp type
19-211-085 for RG405U



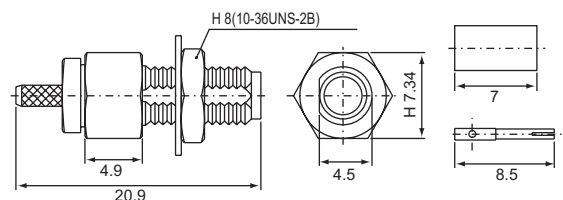
SSMA FEMALE, Crimp type
19-211L for RG174U(316U)



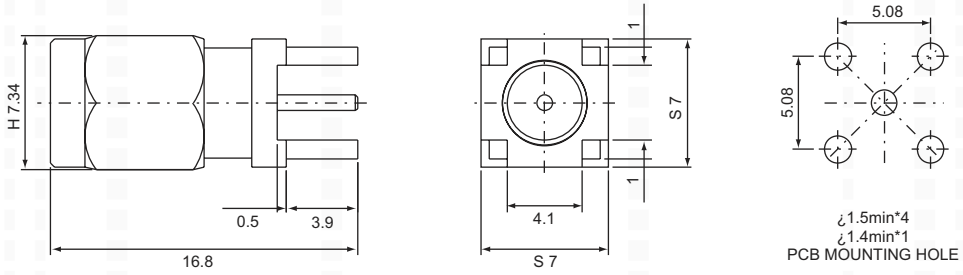
SSMA FEMALE, Crimp type
19-211M for RG178U



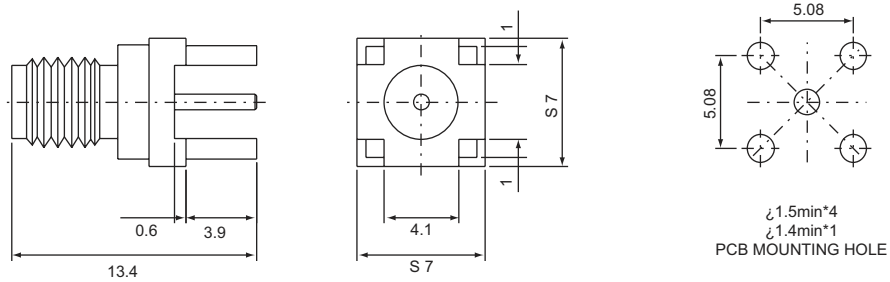
SSMA FEMALE, Crimp type
Bulkhead Receptacle
19-231M-SQ for RG178U



SSMA MALE, Solder type
19-P115 P.C.B mount

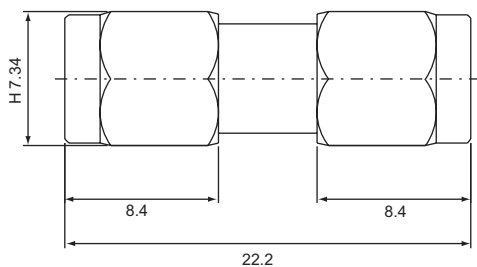


SSMA FEMALE, Solder type
19-P215 P.C.B mount



SSMA SERIES ADAPTERS

double SSMA male
19-311



double SSMA female
19-322

