

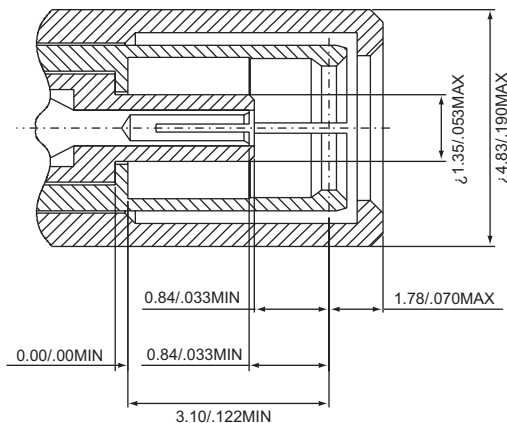
# SSMB SERIES CONNECTORS

## 50 ohm 0-4.0GHz

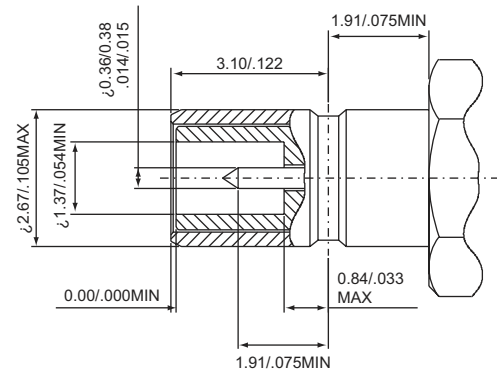
SSMB connectors are 50 ohm microminiature radio frequency connectors and are suitable for both military and commercial equipment operating at frequencies up to 4 GHz.

They are available for a wide range of flexible cable.

## Interface Dimensions:



*Plug (male)*

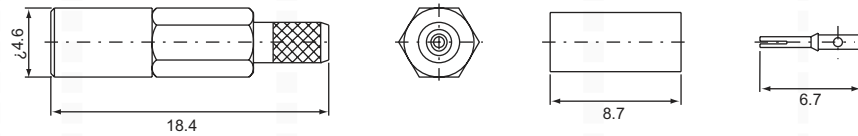


*Jack (female)*

## Electrical:

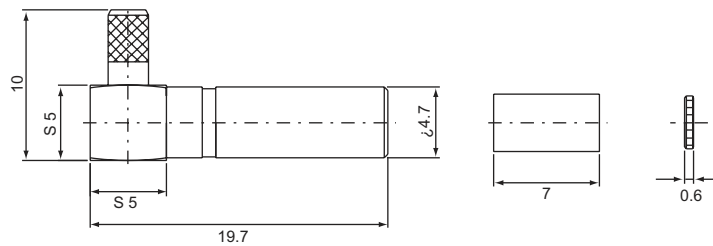
Impedance	50 ohm
Frequency Range	DC to 4.0 GHz

**SSMB MALE, Crimp type**  
**20-111**



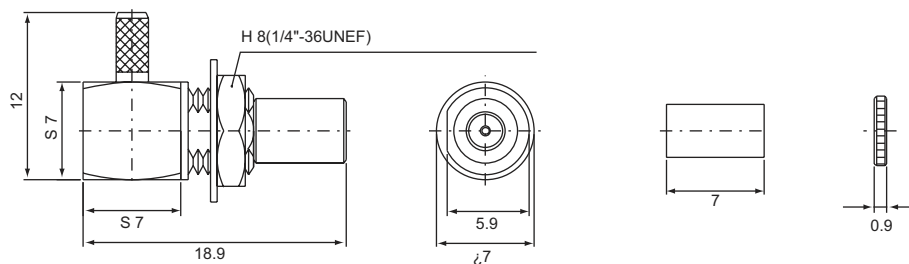
PART NO.	$\Omega$	CABLE TYPE
20-111L	50	RG174U(316U)
20-111M		RG178U
20-111N		RG179U

**SSMB MALE, Crimp type**  
**20-121 right angle**



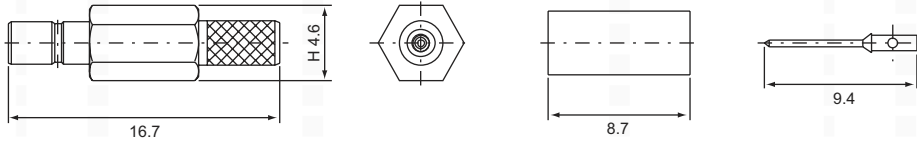
PART NO.	$\Omega$	CABLE TYPE
20-121L-1	50	RG174U(316U)
20-121M		RG178U
20-121N		RG179U

**SSMB MALE, Crimp type Bulkhead receptacle**  
**20-131**



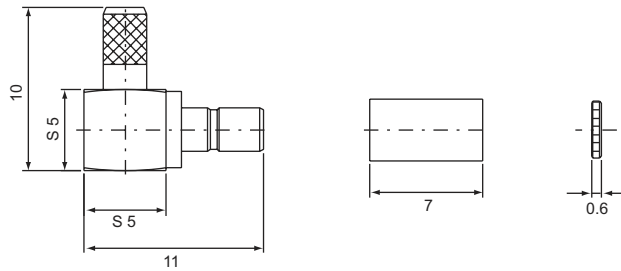
PART NO.	$\Omega$	CABLE TYPE
20-131L-RA	50	RG174U(316U)
20-131M-RA		RG178U
20-131N-RA		RG179U

**SSMB FEMALE, Crimp type**  
**20-211**



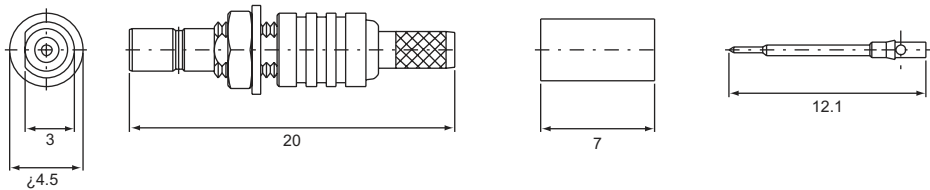
PART NO.	$\Omega$	CABLE TYPE
20-211L	50	RG174U(316U)
20-211M		RG178U
20-211N		RG179U

**SSMB FEMALE, Crimp type**  
**20-221 right angle**



PART NO.	$\Omega$	CABLE TYPE
20-221L	50	RG174U(316U)
20-221M		RG178U
20-221N		RG179U

**SSMB FEMALE, Crimp type**  
**20-231 Bulkhead receptacle**



PART NO.	$\Omega$	CABLE TYPE
20-231L	50	RG174U(316U)
20-231M		RG178U
20-231N		RG179U

**SSMB MALE, Solder type**  
**20-P115 PCB mount**

**SSMB MALE, Solder type**  
**20-P115-1A PCB mount**

