

Cable Entries

Cable entries for the following corrugated copper tube cable are available for protectors which feature a direct cable entry instead a coaxial connector on one end.

Cable

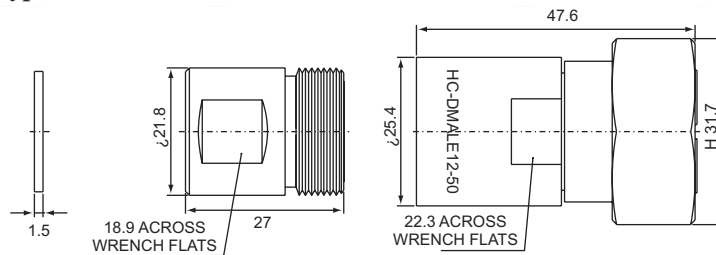
*1/2" foam dielectric corrugated copper tube cable (suitable cables: SUCOFEED 1/2", LDF4-50A, LCF 1/2")
 PS. Please notice cables HELEIAX have very different kinds, for example cable helei ax 1/2", HF, LCF, SCF, SSCF, LDF with manufacture company various and they're not similar. So it is better sample cables for us.

Abbreviation

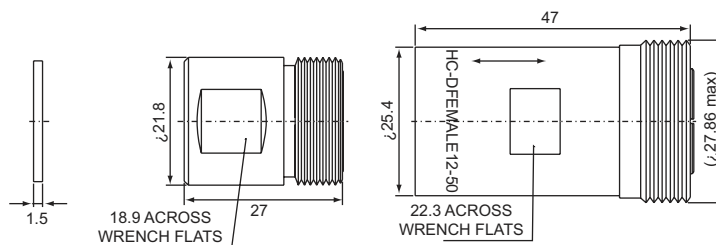


1/2"

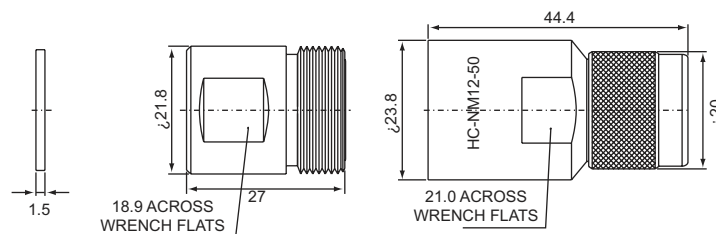
7/16 MALE, Screw-on type 25-112HEL 12-50



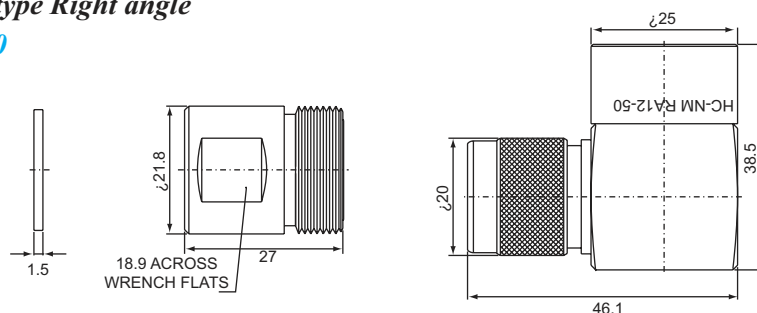
7/16 FEMALE, Screw-on type 25-212HEL 12-50



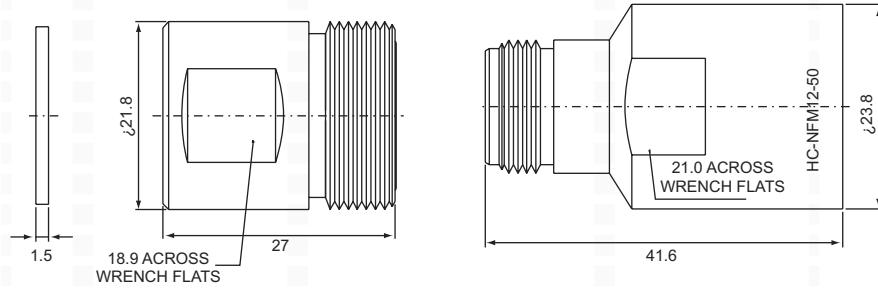
N MALE, Screw-on type N-112HEL 12-50



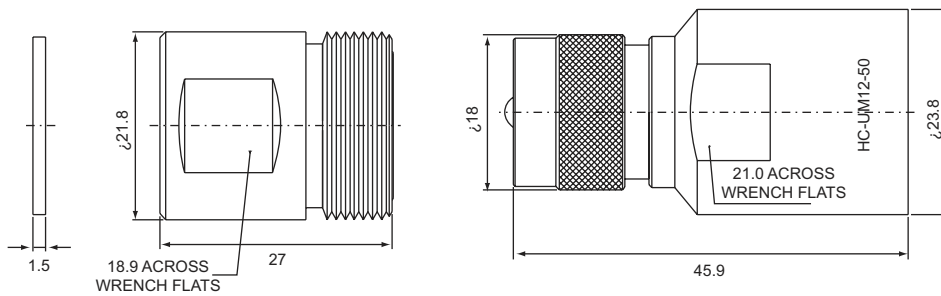
N MALE, Screw-on type Right angle N-122HEL 12-50



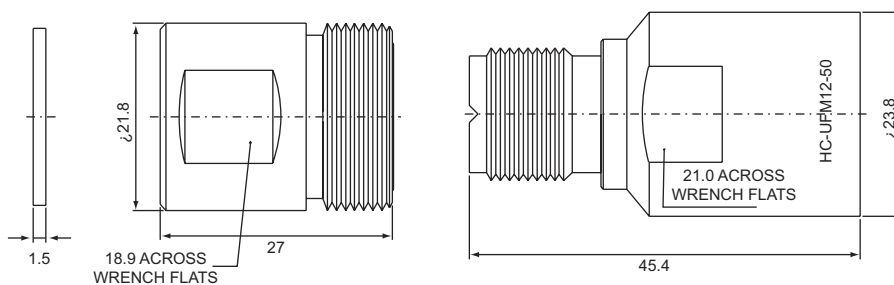
N FEMALE, Screw-on type
N-212HEL 12-50



UHF MALE, Screw-on type
U-112HEL 12-50



UHF FEMALE, Screw-on type
U-212HEL 12-50



Cable Entries

Cable entries for the following corrugated copper tube cable are available for protectors which feature a direct cable entry instead a coaxial connector on one end.

Cable

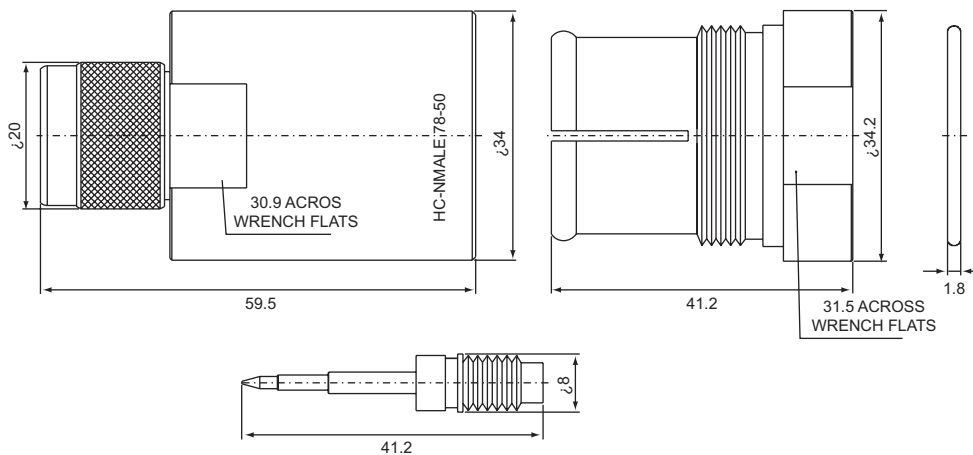
*7/8" foam dielectric corrugated copper tube cable (suitable cables: SUCOFEEED 7/8", LDF5-50A, LCF 7/8")
 PS. Please notice cables HELEIAX have very different kinds, for example cable helei ax 1/2", HF, LCF, SCF, SSCF, LDF with manufacture company various and they're not similar. So it is better sample cables for us.

Abbreviation



7/8"

N MALE, Screw-on type
N-112HEL 78-50



N FEMALE, Screw-on type
N-212HEL 78-50

