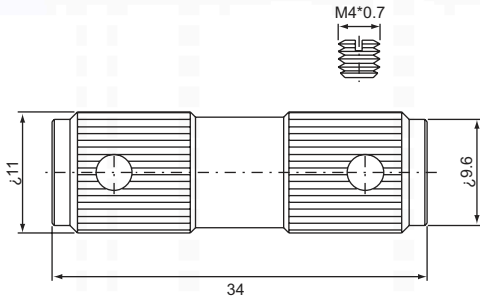
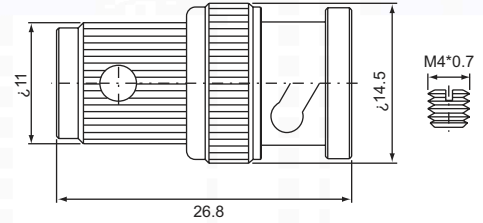


RF COAXIAL RAPID CONNECTORS

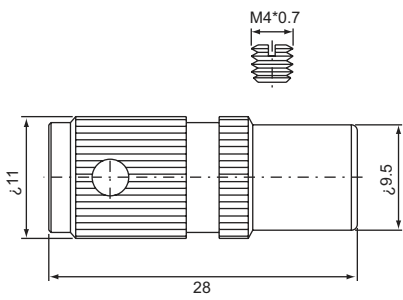
PAPID COUPLER
H-011 (50Ω)



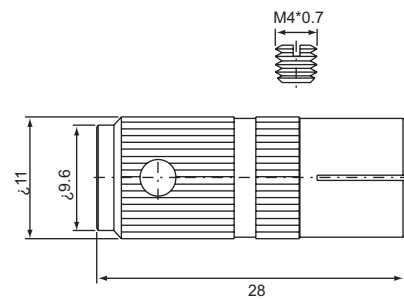
BNC MALE
HB-01 (50Ω)



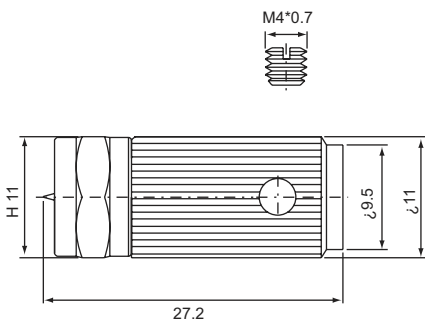
PAL MALE
HE-01 (50Ω)



PAL FEMALE
HE-02 (50Ω)



F MALE
HF-01 (50Ω)



RCAMA MALE
HR-01 (50Ω)

